

# INSTRUCTION SHEET 233222 FOR FITTING DOUBLE STACKING KIT 233218 - (BAP89 / BACO32E)



**SERVICE WORK ONLY TO BE CARRIED OUT BY QUALIFIED PERSONS**

Suitable for the following models:

BAP89 / BACO32E

Contents:

- 2 Side Cover (1).
- 1 Front Panel (2).
- 2 Side Support Rail (3).
- 1 Rear Panel (4).
- 18 Screws 8 x  $\frac{3}{8}$ ".
- 4  $\frac{3}{8}$ " x  $\frac{3}{4}$ " Bolts and Washers.

Tools Required:

Drill bit  $\frac{1}{8}$ " (3.5mm).

## **CAUTION:**

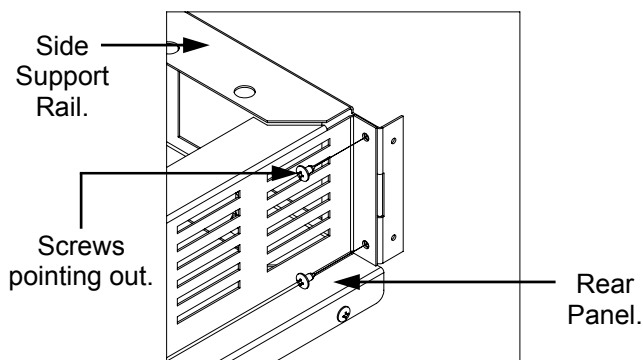
**Ensure unit is isolated from the electrical supply before commencing servicing.  
is isolated from the electrical supply before commencing servicing.**

## **Fitting Instructions:**

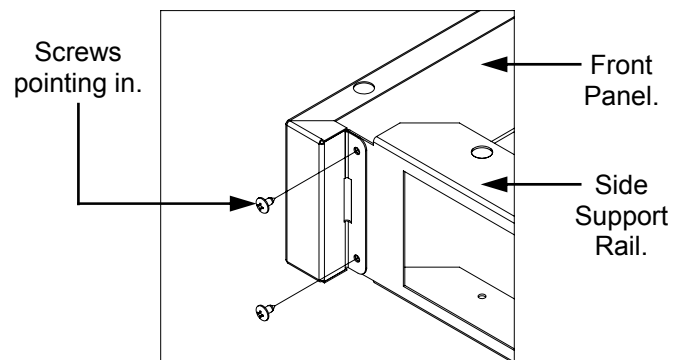
### **Bottom Unit:**

**NOTE:** Refer to Figure C. (overleaf) for general layout of stacking kit.

1. Remove the eight middle screws from top rear of bottom unit.
2. Temporarily fit rear panel (4) to bottom unit (refer Figure C), using two of the existing screw holes at top rear of unit.
3. Place the two side support rails (3) on the unit, ensure the large holes face up.
4. Fasten side support rails (3) to rear panel (4) two screws either side, ensure screws are started from rear panel (4) side with screw tip pointing out (refer Figure A).
5. Remove plastic from front panel (2). Fasten to side support rails (3) (two screws either side), ensure screw tips point in (refer Figure B).
6. Ensure stacking frame is square and mark the positions of the two bottom holes in the front panel (2).
7. Remove the two screws holding stacking frame to rear of bottom unit and remove frame.
8. Drill the two holes ( $\text{Ø}3.5\text{mm}$  [ $\frac{1}{8}$ "]) as per marked in step 6.
9. Re-fit stacking frame, fit three screws at rear and two screws at front into the holes drilled.



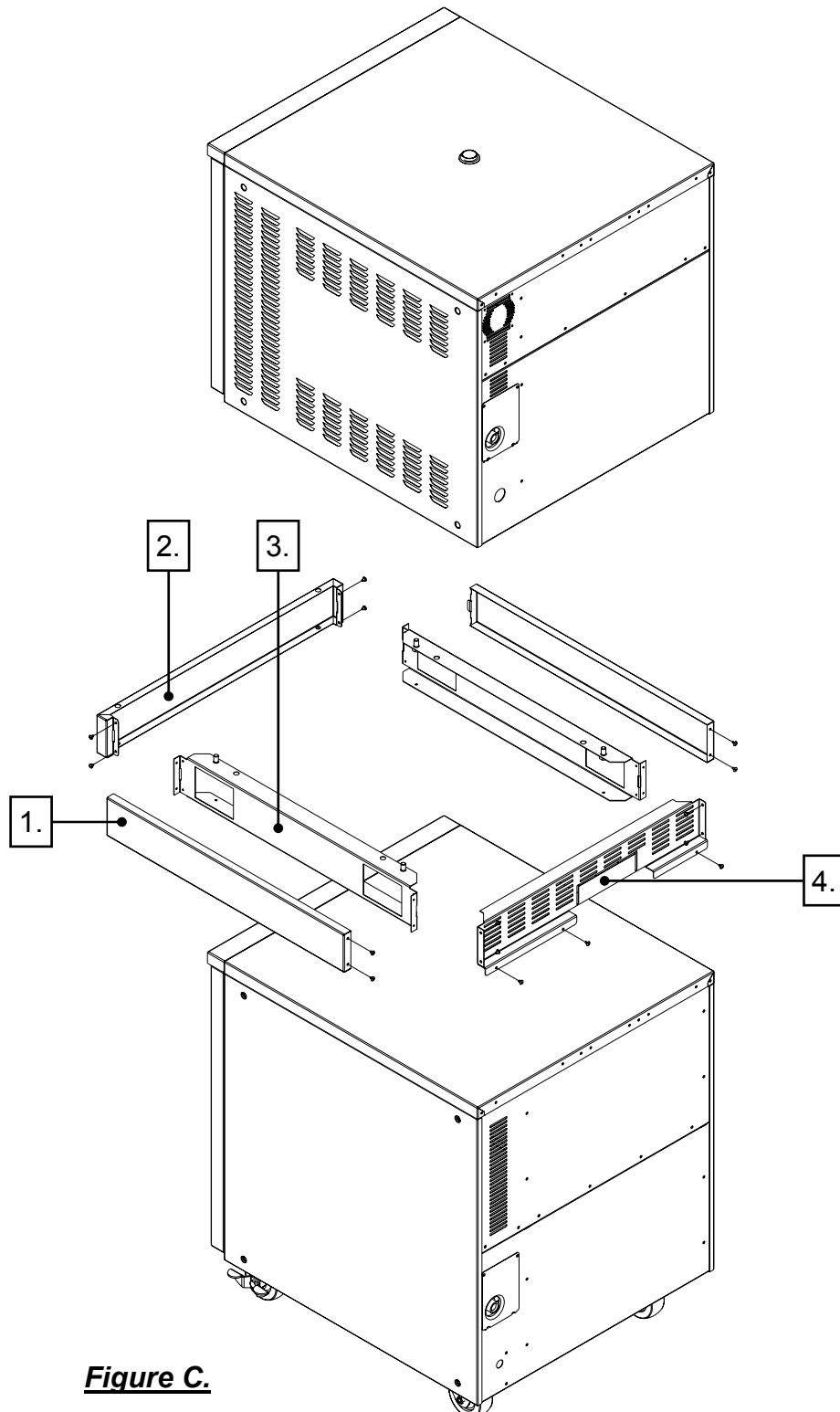
**Figure A.**



**Figure B.**

**Stacking:**

10. Remove castors / legs from top unit, place on top of stacking frame, ensure front panel (2) is flush with sides of both units.
11. Reaching through the rectangular access holes in the side support rails (3) fasten the top unit to stacking frame with the four 3/8" bolts and washers, thread the bolt up into the foot holes of the top unit, ensure bolted through correct holes of the side support rails.
12. Remove plastic from side covers (1). Insert tab end into front panel (2) and fasten opposite end with two screws.
13. Ensure that all screws on the stacking kit are tightened.



**Figure C.**