

INSTRUCTION SHEET 233247 FOR FITTING DOUBLE STACKING KIT 233245 - (BACO32E / BACO32E)



SERVICE WORK ONLY TO BE CARRIED OUT BY QUALIFIED PERSONS

Suitable for the following models:

BACO32E / BACO32E

Tools Required:

Drill bit 1/8" (3.5mm).

Contents:

Castor Base Stand Kit, containing:-

No	Description	Qty
1	End Cap	4
2	Stand Side Frame WA	2
3	Stand Rail WA	2
4	Castor (Total Brake)	4
5	Tube Insert 38 x 38 x M12	4
6	Screw M12 x 30 Hex HD Set ZP	4
7	Washer M12 Spring ZP	4
8	Screw 3/8" x 1" Hex HD Set ZP	4
9	Washer 3/8" Spring ZP	4
10	Washer 1/4" Spring ZP	12
11	Screw M6 x 12 Ph/Hex Taptite	12

Double Stacking Kit (refer page3), containing:-

No	Description	Qty
1	Side Cover	2
2	Front Panel	1
3	Side Support Rail	2
4	Rear Panel	1
5	Flue Duct	1
6	Chimney	1
7	Chimney Support	1
8	Screws 8 x 3/8"	31
9	Bolts and Washers 3/8" x 3/4"	4

NOTE: Food Grade RTV Silicone Sealant not supplied with kit.

CAUTION:

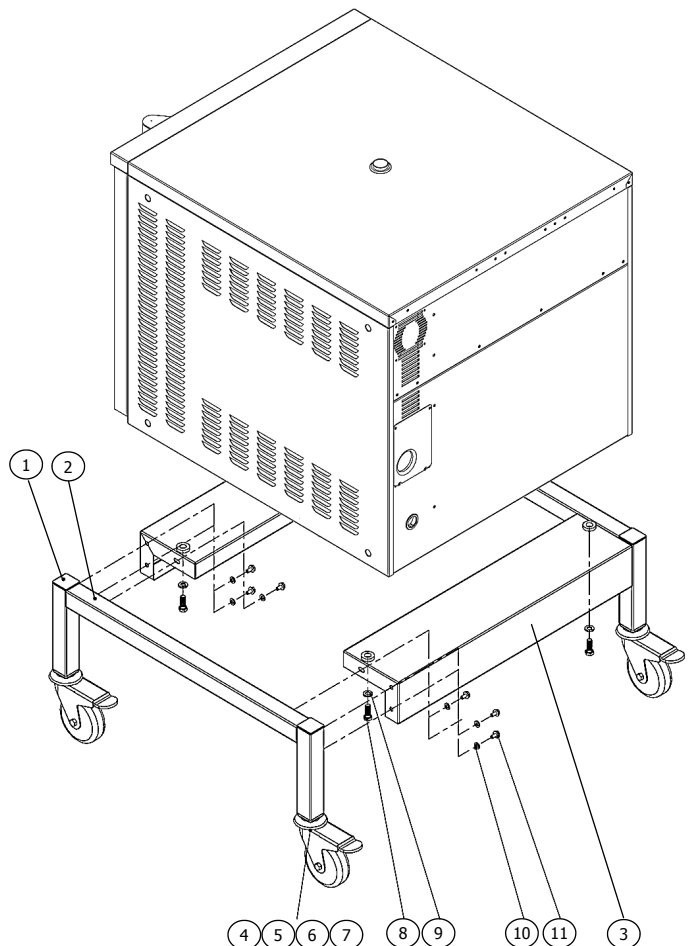
**Ensure unit is isolated from the electrical supply before commencing servicing.
is isolated from the electrical supply before commencing servicing.**

Castor Base Stand:

Fitting Instructions:

Fitting the Castor Base Stand to the Bottom Oven:

1. Screw the stand rails (**3**) to the stand side frames (**2**), with three M6 hex head screws (**11**) and 1/4" spring washers (**10**) at each end.
2. Tip the oven onto its back and remove the 1" or 4" feet screwed into the base of the oven.
3. Screw the assembled stand onto the bottom of the oven using the four 3/8" x 1" hex screws (**8**) and 3/8" spring washers (**9**).



Fitting the Stacking Kit to the Bottom Oven:

NOTE: Refer to Figure on page 3 for general layout of stacking kit.

1. Remove the eight middle screws from top rear of bottom unit.
2. Temporarily fit rear panel (4) and flue duct (5) to bottom unit (refer Figure A below), using two of the existing screw holes at top rear of unit.
3. Place the two side support rails (3) on the unit, ensure the large holes face up.
4. Fasten side support rails (3) to rear panel (4) with two screws either side, ensure screws are started from rear panel (4) side with screw tip pointing out (refer Figure A below).
5. Remove plastic from front panel (2). Fasten to side support rails (3) (two screws either side), ensure screw tips point in (refer Figure B below).
6. Ensure stacking frame is square and mark the positions of the two bottom holes in the front panel (2) and the six holes for the flue duct (5).
7. Remove two screws holding stacking frame and flue duct (5) to rear of bottom unit and remove frame.
8. Drill the eight holes (Ø3.5 mm [(1/8")]) as per marked in **Item 7** above.
9. Apply a small amount of food grade RTV silicone sealant to the flue duct flanges (5) and screw to the bottom unit with six screws along the top (drilled), and two at the rear.
10. Re-fit stacking frame, fit three screws at rear and two screws at front into the holes drilled.

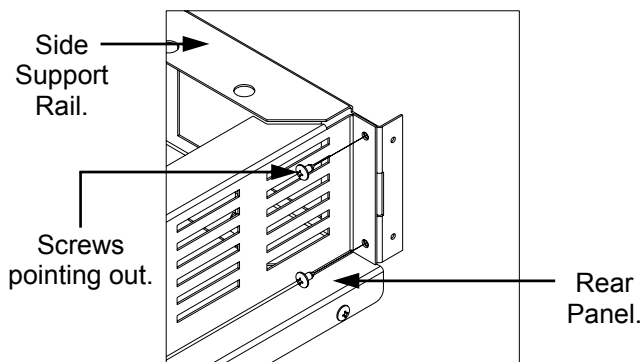


Figure A.

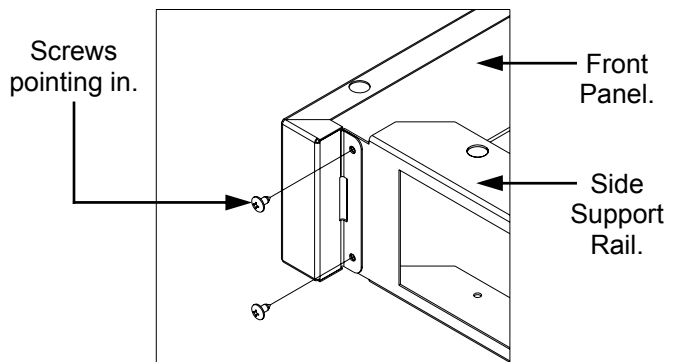


Figure B.

Stacking the Ovens:

11. Remove feet / legs from top unit, place on top of stacking frame, ensure front panel **(2)** is flush with sides of both units.
12. Reaching through the rectangular access holes in the side support rails **(3)** fasten the top unit to the stacking frame with the four 3/8" bolts and washers, thread the bolt up into the foot holes of the top unit, ensure bolted through correct holes of the side support rails.
13. Remove plastic from side covers **(1)**. Insert tab end into front panel **(2)** and fasten opposite end with two screws.
14. Position the chimney **(6)** on the rear of the units. Secure to the flue duct **(5)** and bottom unit with four screws. The holes in the bottom unit may need to be drilled, $\varnothing 3.5\text{mm}$ ($1/8''$).
15. Secure the top of the chimney **(6)** to the top unit with the chimney support **(7)** and two screws. These holes may need to be drilled, $\varnothing 3.5\text{ mm}$ ($1/8''$).
16. Ensure that all screws on the stacking kit are tightened.

