



## Type K Hushpuppy Cutter

### Features

Belshaw's Type K Hushpuppy Cutter is ideal for depositing perfectly formed traditional southern Hushpuppies. The Hushpuppy Cutter is easy to use, saves money through labor efficiency, and provides accurate portion control.

Belshaw's Type K depositors are designed to be mastered by the novice in minutes. Operation is easily accomplished with minimal waste.

The Type K deposits two hushpuppies with each push of the handle. 6 volume settings on the handle provide a weight range from approximately 4 to 10oz per dozen, or about 10-24 grams for each hushpuppy. An identically shaped product is delivered time after time.

Hopper size is generous, allowing approximately 144 mid-sized deposits of 17 grams. Each hopper is constructed of aluminum to reduce weight. Each plunger and cylinder is constructed of stainless steel to assure durability. The entire unit is corrosion resistant, easy to clean and is NSF certified.

### Accessories

The stainless steel Type K holder (Item #K-1016WSS) is simple, easy to clean, saves time, and helps keep your Type K safe from damage .



Type K Hushpuppy Cutter with optional holder

**Construction**

- Aluminum hopper
- Stainless steel plunger and cylinder

**Capacity And Deposit Weights**

- Hopper capacity: up to 5.5 lbs (2.5 kg) batter weight
- Average deposits per hopper when full: approx 144 x 17g deposits
- 6 weight settings available on handle
- Weight range 4-10 oz per dozen (or 10-24g each hushpuppy)
- Weights are approximate and can vary

**Certification**

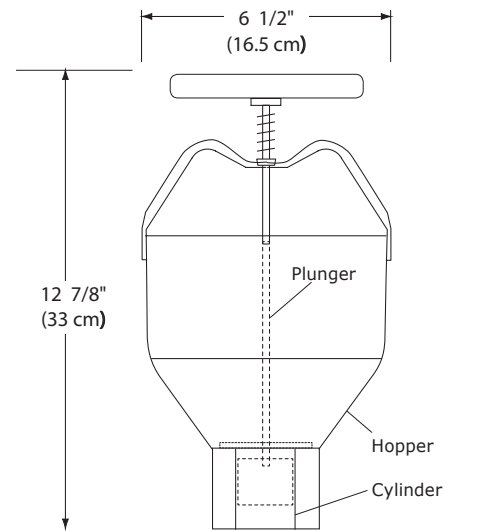


- Certified by NSF (C2)

**Shipping data**

- Carton width: 7½"
- Carton depth: 7½"
- Carton height: 14½"
- Carton weight: 3 lbs
- Data is approximate for North American shipments

**Dimensions**



**Model Selection**

Item Nbr	Description key	Description
<b>8504045</b>	K HUSHPUPPY	Type K Hushpuppy Cutter

**Accessories**

Item Nbr	Description key	Description
<b>K-1016WSS</b>	SS HOLDER TYPE K	Holder for Type K depositors, stainless