

Belshaw Adamatic

TrueBake

BAS25C Convection Oven Stand

Model#: BAS25C

- ★ Designed to support TrueBake 32 convection ovens
- ★ Constructed in stainless steel
- ★ Mobile on 4 casters (2 lockable)
- ★ 6 shelf brackets for sheet pans

Construction

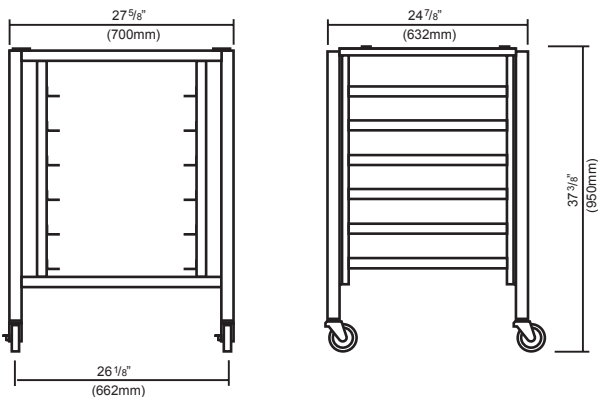
Stainless steel frame and rack supports
Strong, robust and functional
Casters assembled on site

Cleaning And Servicing

Easy clean surfaces

Shipping Data

42lbs (19kg)
3.2ft³ (0.09m³)
Width 28.5" (720mm)
Height 35.5" (900mm)
Depth 5.75" (145mm)



Left: BAS25C with TrueBake 25E convection oven (electric)

Center: BAS25C with TrueBake 32E convection oven (electric)

Right: BAS25C with TrueBake 32G convection oven (gas)

Short Bid Specification: Convection Oven Stand Model BAS25C

Unit shall be a stainless steel stand for Belshaw Adamatic TrueBake 32 convection ovens. The stand shall be constructed from stainless steel tube with casters, 2 swivel and 2 brake. It shall be fitted with 6 sets of tray runners suitable for up to 12 half size sheet pans or 6 full size sheet pans. The stand shall be fully compatible with, and support, Belshaw Adamatic TrueBake 32 convection ovens. NSF-2 listed.

Certifications

NSF-2 listed

