

BX eco-touch

Bakery Convection Oven, 3 or 4-pan capacity
Single or Double Stacked, with Stand

Oven Features

- One of the most energy efficient ovens rated by Energy Star, with 80% of energy used transferred to the baked product
- Produces an even bake (with bi-directional fan for more even baking)
- Steam injection standard on all ovens
- Steam injects automatically at preselected time(s)
- Holds 18" x 26" baking pans
- 3 or 4-pan capacity (to be specified)
- Space between baking pans: 4½" (BX3) or 3½" (BX4)
- Can be double-stacked. Stacking kit is supplied
- 8-shelf stand supplied with each single oven
- 4-shelf stand supplied with double-stacked ovens
- Universal door can be hinged on either side (left side standard)
- High quality rigid insulation
- Welded seams to prevent moisture leaking to insulation
- Cool-to-Touch double insulated door with large window
- ETL certified to UL-197 and NSF-4, 2 year parts and labor warranty

Color Touch Screen

- Touch screen controller with intuitive interface for fast, easy, and mistake-free usage. Icons and illustrations used for menu selection.
- **Up to 240 bake programs.** Settings can be changed while the program is running. Each program has the option to control:
 - Bake time • Bake temperature • Steam duration • Fan direction • Damper open/shut (allows steam/heat to exit chamber)
- **'Favorites' menu** accesses the most frequently used programs
- **'Multi-Bake' function.** Allows the operator to track progress of 4 different product items simultaneously. Progress bars provide a clear indication of each bake cycle. The voice prompt or buzzer sounds when each program has finished or needs other attention.
- **7-day timer** to start oven at selected times, ready for every shift. 4 events can be programmed for each day of the week.
- **'Help' function** at top of every screen
- **'Sleep mode'** returns oven to a selected standby temperature - reducing energy consumption up to 66%
- **Auto-shutdown** to prevent oven from being left on by mistake
- **Diagnostics function** to monitor performance and report status, while oven is running
- **Voice prompts** such as "Door Open", "Bake Over", etc available as desired. (Standard alert tones and buzzers are also available)
- **All functions are easily uploadable and downloadable via USB.** This includes recipes, sounds and tones, logos, icons, images and software.

Options

- Single or Double stacked ovens
- Proofer base with 8 shelves (photo over page)



↑ BX3 Eco-touch, single stack w/stand



↑ BX4 eco-touch, Double stack w/stand

Serving bakeries for **95** years

www.belshaw.com

SPECIFICATIONS

Each oven requires 2 electrical connections and 1 water connection

Pan size	18" x 26"
Shelf spacing (BX4, 4 shelves)	3.5" per shelf
Shelf spacing (BX3, 3 shelves)	4.5" per shelf
Clearance requirement	2" at rear only

Shipping data (approximate)

Single oven with stand

Shipping weight	468 lbs
Shipping Class	85

Double-stacked oven with stand

Shipping weight	731 lbs
Shipping Class	85

Electrical connection (1) (There are 2 connections for each oven)

Volts (1)	208-220 V, 60 Hertz, 3 phase
Amps (1)	24 Amps per phase
Watts (1)	7.5 Kilowatts
Plug (1)	NEMA L15-30P (3+G)
Cord (1)	72 inches

Electrical connection (2) (There are 2 connections for each oven)

Power (2)	120 V, 60 Hertz, 1 phase
Amps (2)	7.8 A
Plug (2)	NEMA 5-15
Cord (2)	72 inches

Water connection

Pressure	20 psi
Connection	'Garden hose thread' connection
Damper	Butterfly type

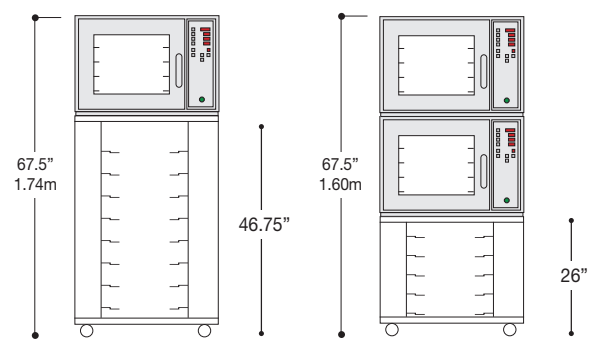
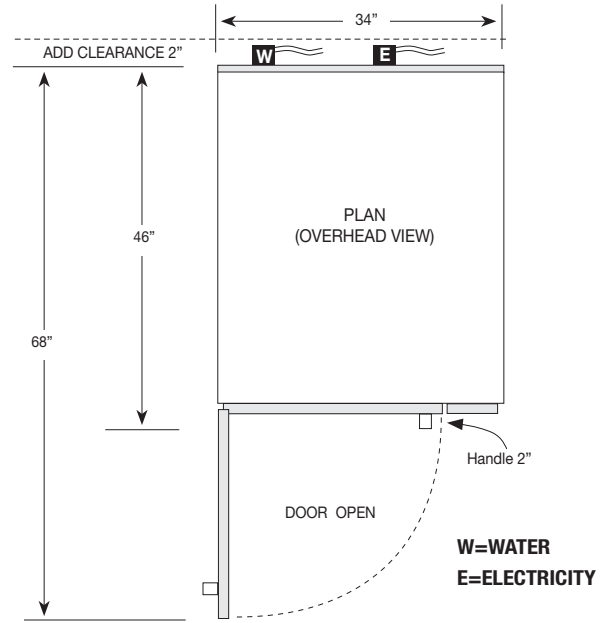
CERTIFICATIONS

-  ETL certified to UL-197 and NSF-4.
-  Energy Star qualified.



Shown at right:
BX4 oven with 8 shelf proofer

BX Eco-touch Controller (sample screens)



Serving bakeries for **95** years

www.belshaw.com