

TYPE B CAKE DONUT DEPOSITOR

Designed for quality cake donuts. Also makes excellent hushpuppies, loukoumades, falafel, ball-shaped fritters, and more, depending on the mix or recipe used.

Description

- Belshaw depositors, the industry standard for many years, are legendary for their precision and smoothness of operation - even after many years of use. Each depositor is engineered of durable gears, cams and trip arms to produce nearly identical volume and shape with every deposit.
- An adjustment dial allows you to choose a generous range of batter weight for each deposit.
- The Type B Depositor utilizes a hand crank to deposit at a rate up to 80 (or more) per minute. The internal workings of the Type B ensures a smooth turn of the crank handle and a well shaped deposit placed anywhere in the fryer. The service life of a Belshaw Type B is frequently measured in decades.

Standard features

(Apply to all models, unless otherwise specified)

- Aluminum alloy frame and arm assembly
- Hardened steel cams

- Bronze trip arms and bushings
- Aluminum hopper (Capacity 15 lbs/6.8 kg)
- Stainless steel and aluminum cylinder
- Deposit weight adjustment dial
- Crank handle
- Compatible with Belshaw Type B/Type F plungers and cylinders only

Options

- Frame only (no hopper)

Accessories

- Type B/F Column Mount (#0405)
- Wall Mount (#0406)
- Bracket Arm Height Adjuster (#0400)
- Plungers and cylinders

Plungers and Cylinders

- Plungers are available for rings, sticks, old fashions, crullers, krinkles and more.
- Plungers and cylinders are purchased separately. See [plunger selection guide](#) to choose your plunger.

Serving bakeries for **95** years

www.belshaw.com

SHIPPING DIMENSIONS

- Depositor (w/bracket arms if ordered): 19 "x 21" x 26", 47 lbs (48 x 53 x 66 cm, 22 kg)
- Colum mount (if ordered): 49" x 2" x 2", 14 lbs (36 x 5 x 5 cm, 7 kg)
- Freight class: 85
- (Estimate does not include plungers and cylinders)

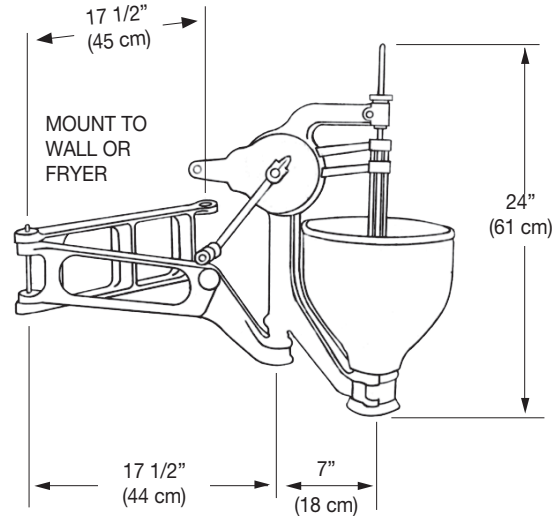
ELECTRICAL

- No electrical power required

CERTIFICATIONS



- Certified by NSF, Standard 169



MODEL SELECTION

(NOTE: Diagram includes plunger, cylinder and mounting bracket purchased separately)

Item Nbr.	Description Key	Options
B0001000	B-LB-W/O	Standard Type B depositor (plunger/cylinder not included)
0226CHS	B-LB-W/O-X	Standard Type B depositor frame only (no hopper)

Description Keys: **B=Type B** **LB=No mounting bracket** **W/O=No plunger/cylinder** **X=no hopper**

ACCESSORIES AND REPLACEMENT ITEMS

Item Nbr.	Description Key	Description
0405	COLUMN MOUNTING KIT	Column mount bracket kit, Type B or F
0406	WALL MT BRKT KIT	Wall mount bracket kit, Type B or F
0400	HEIGHT ADJ KIT	Bracket Arm Height Adjuster. Enables quick accurate adjustment to height of depositor. (For column mount only)
0290	HOPPER ASSY LG BORE	Hopper for Type B / Type F
0035SSAx[size]	CYL ASSY SS [size]	Cylinder for sizes up to 1-3/4" [insert size in inches]. Example: 0035SSAx1-3/4
0035SSBx[size]	CYL ASSY SS [size]	Cylinder for sizes from 1-7/8" or 2" [insert size in inches]. Example: 0035SSBx2

PLUNGERS AND CYLINDERS

Item Nbr.	Description Key	Description
For plungers, see plungers section. Each plunger must match a cylinder of the same size. Different plungers may be used with just one cylinder, provided all are the same size. For example, a 1-3/4" plunger can only be used with a 1-3/4" cylinder.		
0035SSAx[size]	CYL ASSY SS [size]	Cylinder for sizes up to 1-3/4" [insert size in inches]. Example: 0035SSAx1-3/4
0035SSBx[size]	CYL ASSY SS [size]	Cylinder for sizes 1-7/8" and larger [insert size in inches]. Example: 0035SSBx2

Serving bakeries for **95** years

www.belshaw.com