

## TYPE K DONUT DEPOSITOR

- **Item Nbr 8504022**  
Type K Donut Depositor with 1-9/16" plain plunger, for ring donuts
- **Item Nbr 8504023**  
Type K Donut Depositor with 1-9/16" star plunger, for ring donuts with a star shaped hole
- **Item Nbr 8504052**  
Type K Donut Depositor with 1" plunger, for mini donuts
- **Item Nbr K-1016WSS**  
Holder for Type K

### FEATURES

Belshaw's Type K Donut Depositor is ideal for creating perfectly formed cake donuts. The Type K is quick and easy to use and provides accurate portion control at a variety of sizes with a single plunger.

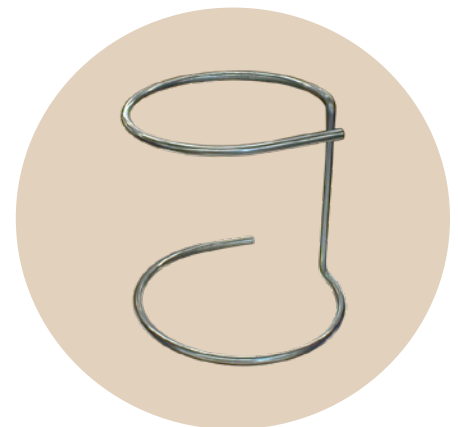
- Belshaw's Type K depositors are designed to be mastered by the novice in minutes. Operation is easily accomplished with minimal waste, and consistent deposits are easily delivered time after time.
- The Type K provides 6 volume settings located on the handle. Typical weight range is from 1.2 - 1.8 oz (34 - 50g). A consistently shaped product is delivered time after time.
- The hopper holds 5.5 lbs of batter (2.5 kg), allowing approximately 58 deposits of 1½ oz (43g). Each hopper is constructed of aluminum to reduce weight. Each plunger and built-in cylinder is constructed of stainless steel to assure durability. The entire unit is corrosion resistant and easy to clean.
- Two plungers are available, a 1-9/16" plunger for standard size donuts and a 1" plunger for mini donuts. In addition the Donut Depositor accepts Belshaw plunger attachments to a plain plunger. These attachments divide the donut deposit into 2, 3 or 4 pieces (as shown on following page)
- The Type K Donut Dispenser is certified by NSF to Standard 169.



Above: Type K Donut Depositor with Holder  
Below: Item Number K-1016WSS Stand for Type K

### ACCESSORIES

- Item #K-1016WSS: Type K Stand. The stainless steel Type K Stand is simple, easy to keep clean, and helps keep your pancake dispenser safe from damage.
- Item #K-1011S: Star Plunger (1-9/16" diameter). Produces a well rounded Ring Donut with a star shape in the center. (See following page)
- Dunkerette, Nugget or Ball attachments: economical attachments that slide onto a plain or star plunger, to make smaller donuts. (See following page)



Serving bakeries for **95** years

**CONSTRUCTION**

- Aluminum hopper
- Stainless steel plunger and cylinder

**PLUNGER**

- 1-9/16" plain plunger (makes standard ring donuts)

**CAPACITY AND DEPOSIT WEIGHTS**

- Hopper capacity: up to 5.5 lbs (2.5 kg) batter weight
- Deposits per hopper when full: approx 58 x 1½ oz (43g) deposits
- 6 weight settings on handle
- Weight range 1/2 – 1.8 oz (34 – 50g) per deposit
- Weights are approximate and can vary

**WEIGHT AND DIMENSIONS**

- Overall height: 13" (33 cm)
- Hopper diameter: 6½" (16.5 cm)

**SHIPPING DATA**

- Carton width: 7½"
- Carton depth: 7½"
- Carton height: 14½"
- Carton weight: 3 lbs

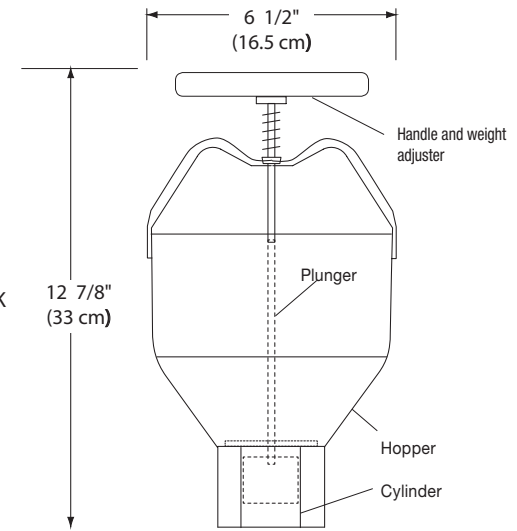
**MODEL SELECTION**

- Item Nbr 8504022: Type K Donut Depositor with 1-9/16" plunger
- Item Nbr 8504052: Type K Donut Depositor with single 1" plunger (for mini donuts)
- Item Number K-1016WSS: Holder for Type K

**CERTIFICATION**



NSF-169



**PLUNGER AND ATTACHMENT SELECTION GUIDE**

Item Number	Plunger / Attachment	Plunger	Donut type
<b>#8504022</b> <b>TYPE K WITH PLAIN PLUNGER 1-9/16"</b>	<b>PLAIN PLUNGER, 1-9/16" DIAMETER</b> For standard Ring donuts. Also makes "Old Fashion" donuts using Old Fashion donut mix. Size is adjustable using weight adjuster on Type K		
<b>#8504023</b> <b>TYPE K WITH STAR PLUNGER 1-9/16"</b>	<b>STAR PLUNGER, 1-9/16" DIAMETER</b> For Ring donuts with a star pattern around the center hole. Size is adjustable using weight adjuster on Type K		
<b>#8504052</b> <b>TYPE K WITH 1" PLUNGER</b>	<b>MINI DONUT PLUNGER, 1" DIAMETER</b> For mini donuts. Size is adjustable using weight adjuster on Type K		
<b>DR42-1018x1.563</b> <b>(Option)</b>	<b>DUNKERETTE ATTACHMENT</b> Attaches to a Plain Plunger. Forms 2 half-donuts as shown. Size is adjustable using weight adjuster on Type K		
<b>DR42-1016x1.563</b> <b>(Option)</b>	<b>NUGGET ATTACHMENT</b> Attaches to a Plain Plunger. Produces 3 separate or joined balls, depending on the height of the hopper and the type of mix. Size is adjustable using weight adjuster on Type K		
<b>DR42-1017x1.563</b> <b>(Option)</b>	<b>BALL ATTACHMENT</b> Attaches to a Plain Plunger. Produces 4 separate balls, or joined balls, depending on the height of the hopper and the type of mix. Size is adjustable using weight adjuster on Type K		

Serving bakeries for **95** years

www.belshaw.com