

Type	TYPE K
Model	Hushpuppy Depositor

TYPE K HUSHPUDDY DEPOSITOR

- **Item Nbr 8504045**

Type K Hushpuppy Depositor, deposits 2 Hushpuppies

- **Item Nbr K-1016WSS**

Holder for Type K

FEATURES

- Belshaw's Type K Hushpuppy Depositor is ideal for depositing Southern Fried Hushpuppies with smaller fryers such as Belshaw's 616B. The Type K is quick and easy to use, and designed to be mastered by the novice in minutes. Operation is easily accomplished with minimal waste, and consistent deposits are easily delivered time after time.

- Each dispenser offers 6 calibrated volume settings located on the handle with weight range from approximately ½ oz to 1.8 oz (10 to 24 grams). Hopper size is generous and holds about 5.5 pounds of dough. Each hopper is constructed of aluminum; each plunger and cylinder is constructed of stainless steel. The entire unit is corrosion resistant and easy to clean.

- NSF certified.

ACCESSORIES

- Item #K-1016WSS: Type K Stand. The stainless steel Type K Stand is simple, easy to keep clean, and helps keep your depositor safe from damage.

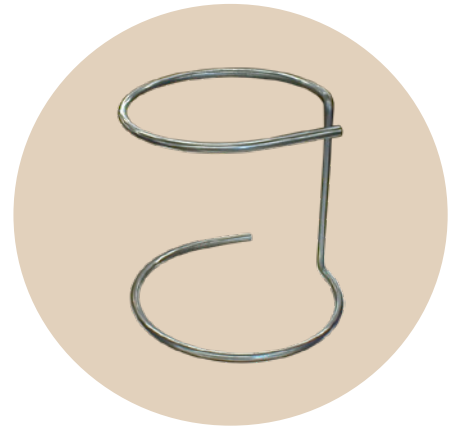
CERTIFICATION



Certified by NSF



Above: Type K Hushpuppy Depositor with Holder
Below: Item Number K-1016WSS Stand for Type K



Serving bakeries for **95** years

Type	TYPE K
Model	Hushpuppy Depositor

CONSTRUCTION

- Aluminum hopper
- Stainless steel plunger and cylinder

PLUNGER

- Specialized plunger deposits 2 hushpuppies when handle is pressed
- Part # K-1038

CAPACITY AND DEPOSIT WEIGHTS

- Hopper capacity: up to 5.5 lbs (2.5 kg) batter weight
- Deposits per hopper when full: approx 85 x 1 oz (28g) deposits
- 6 weight settings on handle
- Weight range ½ oz – 1.8 oz (12g – 50g) per deposit
- Weights are approximate

WEIGHT AND DIMENSIONS

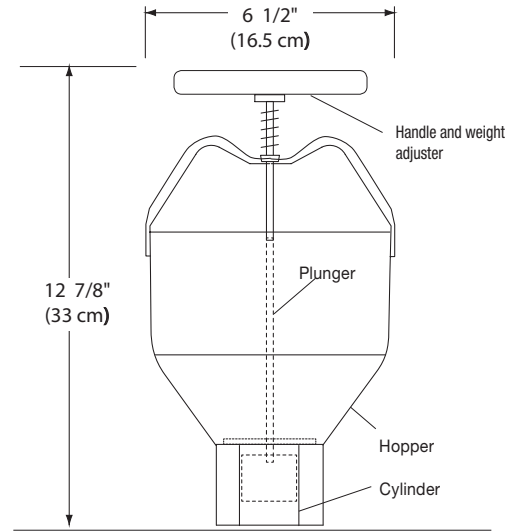
- Overall height: 12-7/8" (33 cm)
- Hopper diameter: 6½" (16.5 cm)

SHIPPING DATA

- Carton width: 7½"
- Carton depth: 7½"
- Carton height: 14½"
- Carton weight: 3 lbs

MODEL SELECTION

- Item Nbr 8504045 - Type K Hushpuppy Depositor
- Item Nbr K-1016WSS - Holder for Type K (optional)



Serving bakeries for **95** years