

TYPE K PANCAKE DISPENSER

- Item Number 8504011 Type K Pancake Depositor
- Item Number K-1016WSS Holder for Type K

FEATURES

Belshaw's Type K Pancake Dispenser is the professional's choice for accurately depositing pancake batter. The Pancake Dispenser is quick and easy to use and provides accurate portion control at a variety of sizes, from mini to extra large.

- Belshaw's Type K depositors are designed to be mastered by the novice in minutes. Operation is easily accomplished with minimal waste, and consistent deposits are easily delivered time after time.
- Each pancake dispenser offers 7 calibrated volume settings located on the handle with weight range from ½ - 3 oz (15-85g). Hopper size is generous, allowing 44 typical 2 oz portions. Each hopper is constructed of aluminum to reduce weight. Each plunger and cylinder is constructed of stainless steel to assure durability. The entire unit is corrosion resistant and easy to clean.
- The Type K Pancake Dispenser is certified to NSF Standard 169.

ACCESSORIES

The stainless steel Type K Stand is simple, easy to keep clean, and helps keep your pancake dispenser safe from damage.

- Item #K-1016WSS: Type K Stand



Above: Type K Pancake Dispenser (Item# 8504011)

Below: Type K Pancake Dispenser with Stand (Item #K-1016WSS)



Serving bakeries for **95** years

www.belshaw.com

CONSTRUCTION

- Aluminum hopper
- Stainless steel plunger and cylinder

CAPACITY AND DEPOSIT WEIGHTS

- Hopper capacity: up to 5.5 lbs (2.5 kg) batter weight
- Average deposits per hopper when full: approx 40 x 2oz deposits
- 8 weight settings on handle
- Weight range 1/2 to 3oz (14 - 85g) per deposit
- Weights are approximate and can vary

CERTIFICATION



Certified by NSF to Standard 169

WEIGHT AND DIMENSIONS

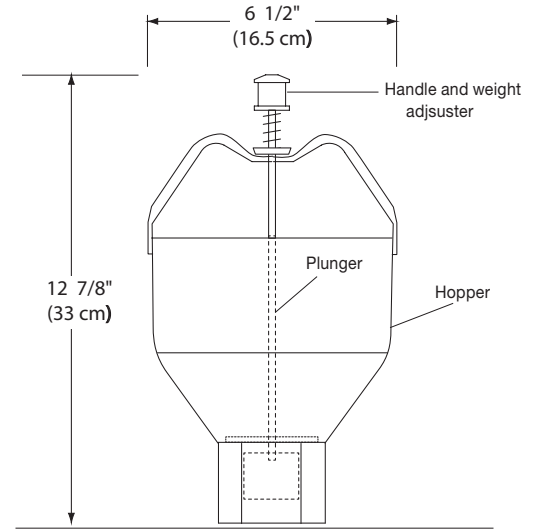
- Overall height: 13" (330 mm)
- Hopper diameter: 6 1/2" (165mm)

SHIPPING DATA

- Carton width: 7 1/2"
- Carton depth: 7 1/2"
- Carton height: 14 1/2"
- Carton weight: 3 lbs

MODEL SELECTION

- Item Nbr 8504011: Type K Pancake Dispenser
- Item Nbr 8504012: Type K Pancake Dispenser with K-1016WSS Holder (together):
- Item Number K-1016WSS: Holder for Type K:



● Item Number K-1016WSS
Holder for Type K

Serving bakeries for **95** years